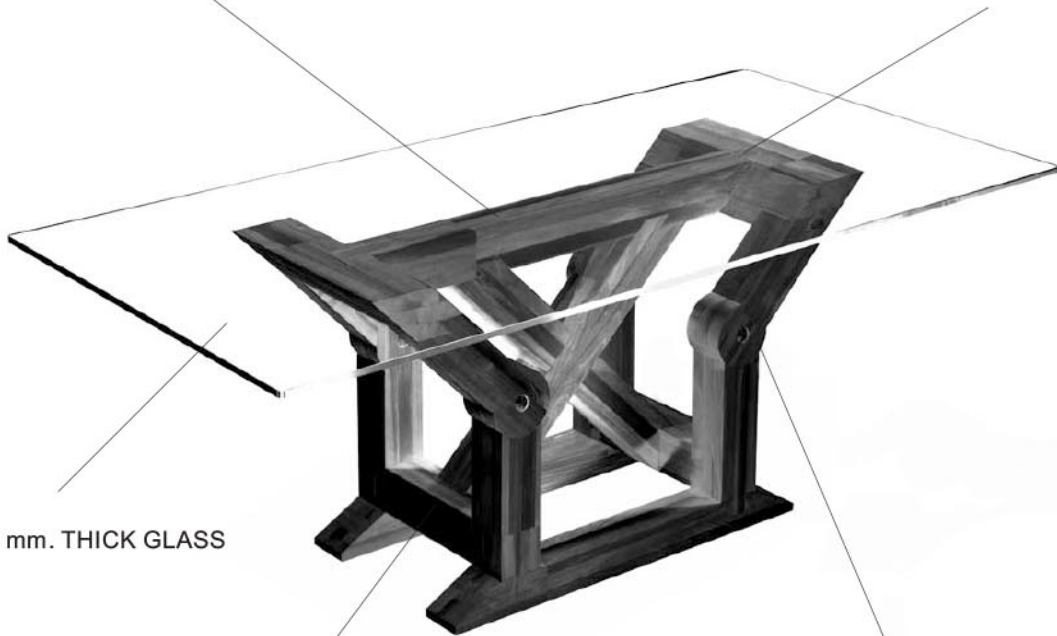


SFORZA

ALL PARTS OF THIS TABLE ARE GLUED TOGETHER BUT WHEN IT WAS FIRST TESTED (WITHOUT GLUE) THE TABLE WAS COMPLETELY STABLE DUE TO THE ACCURACY OF THEIR ASSEMBLIES.

SOME ASSEMBLIES ARE SPECIALLY DIFFICULT, AS THIS DOVETAIL JOINT, WHICH DOES NOT FIT PERPENDICULAR BUT WITH SOME DEGREE OF INCLINATION

15 mm. THICK GLASS



THE WORD "SOLIDITY" IN THIS TABLE TAKES ON A DOUBLE MEANING, SINCE IT DOESN'T ONLY TRANSMIT SOLDITY AESTHETICALLY, BUT IT IS ALSO GENUINELY SOLID

THE BALL JOINTS ARE LOCKED SO THAT THEY CANNOT MOVE, BUT GIVE THE TABLE A CERTAIN ASPECT OF LEONARDO'S MACHINES

